

Installation of Peikko Lifting Systems

INSTALL THE PRODUCT – PRECAST FACTORY – END USER

DESIGNERS	PRECAST PLANTS	USERS
-----------	----------------	-------

The Peikko Lifting System components are installed either on the construction site or in a precast plant. Peikko Lifting Systems Accessories should be used to facilitate the installation process.

Ensure that the surroundings and environmental conditions are dry and clean for installation. Environmental pollution of all kinds should be avoided or minimized at all times. For easier removal, all Peikko Lifting Systems Accessories used for installation should be lubricated.

The following must be taken into account prior to installing any type of lifting system:

- All workers fulfill the requirements of the documentation and are familiar with it
- The limitations of applications and restrictions are known
- The design assumptions are defined and known

During installation of Peikko Lifting Systems the specified installation tolerances must be kept. The installation tolerances for vertical and horizontal positions are given in *Figure 29*. The installed Lifting insert can incline a maximum of 2.5° in either direction and angle tolerance must remain within 5° of tolerance towards the insert axis.

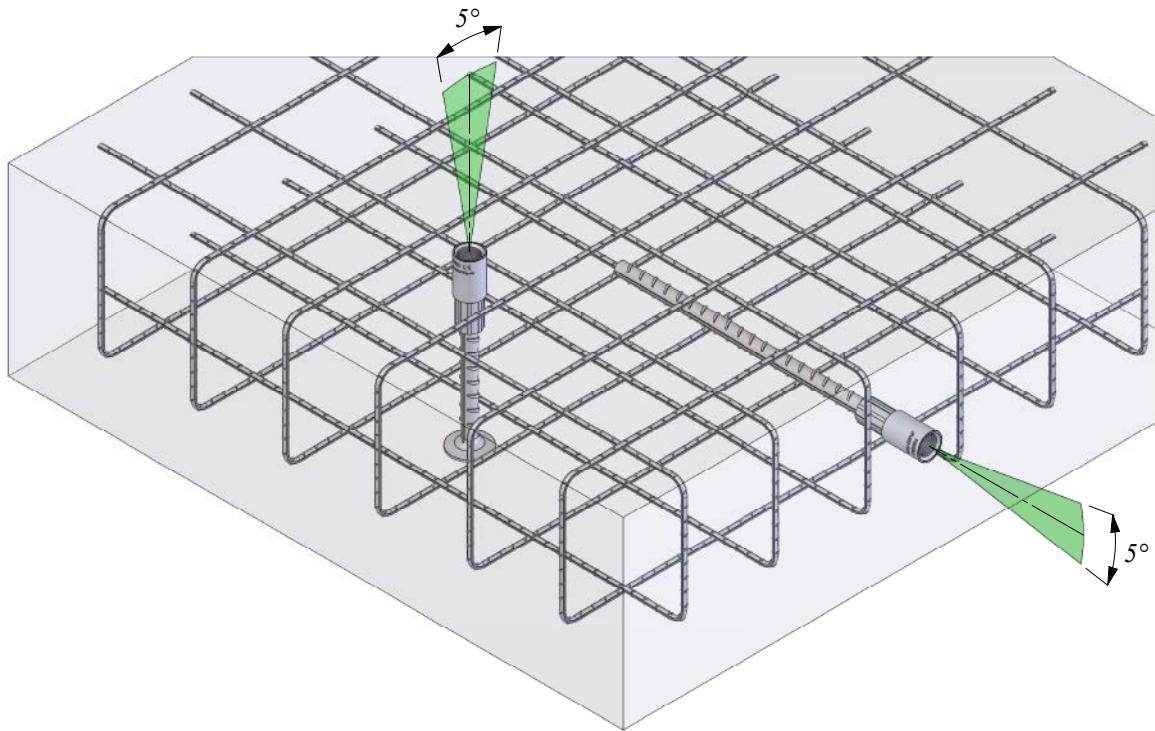


Figure 29. Angle tolerances for installation of Peikko Lifting Systems.

Installation into concrete elements requires the insert to stay in its initial position. If the insert moves out of place, the following chapters and *Table 21* defines the permitted installation tolerances for JENKA Lifting inserts.

JENKA Lifting System

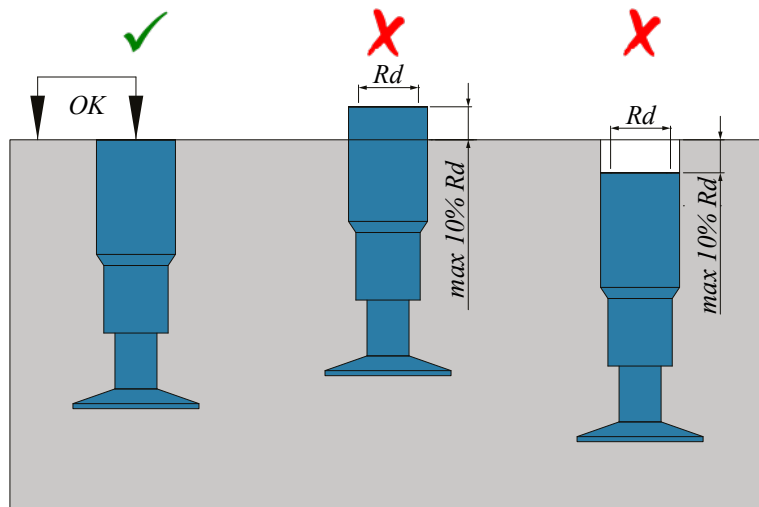
DESIGNERS	PRECAST PLANTS	USERS
-----------	----------------	-------

For JENKA Inserts a DSH marking ring must always be used. The insert is to be fixed into the formwork using installation accessories (NP P, NNP, NP M). The rotation symmetric shape of the fixing items and inserts facilitates installation. No special assembly direction need be considered, except on wavy ends (WAL or WAS) where the waved part must be installed parallel to the longitudinal direction of the element as shown in Installing section – 2. Installation on page 41.

For JENKA JL and JLW lifting keys, the NP P or NP M nailing plate must be used. It supports the JENKA Lifting Key by the recess to impact the loads on the concrete. JENKA Lifting Keys JL and JLW without NP P or NP M can be used with a maximum of 30° of angular pull. The JENKA TLP Lifting Key can be used up to 90° without any nailing plate.

Table 21. Installation tolerances for JENKA Lifting Inserts.

Type	10% of R_d
	[mm]
RD12	±1.2
RD16	±1.6
RD20	±2.0
RD24	±2.4
RD30	±3.0
RD36	±3.6
RD42	±4.2
RD52	±5.2



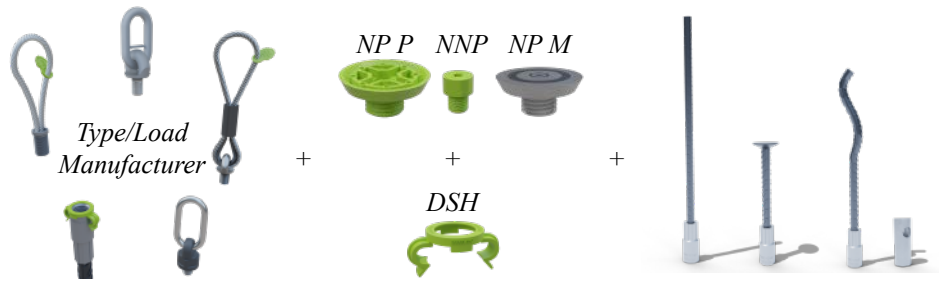
PLEASE NOTE:

The tolerances given in Table 21 are to be considered for recessed installation with NP P, NP M or NNP.

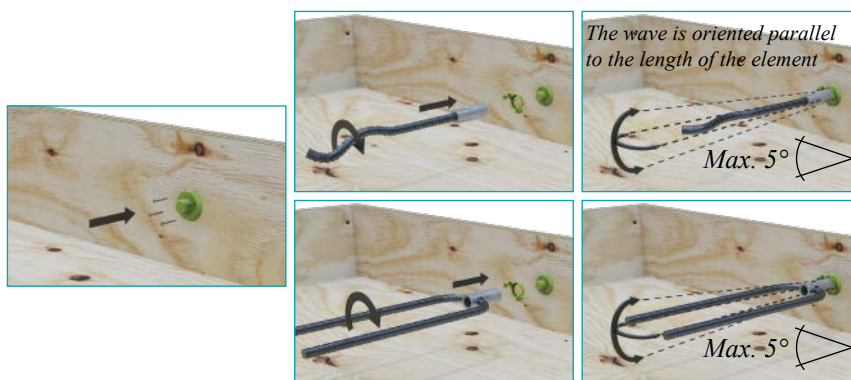
SRA, TF, WAL, CSA

1. Selection

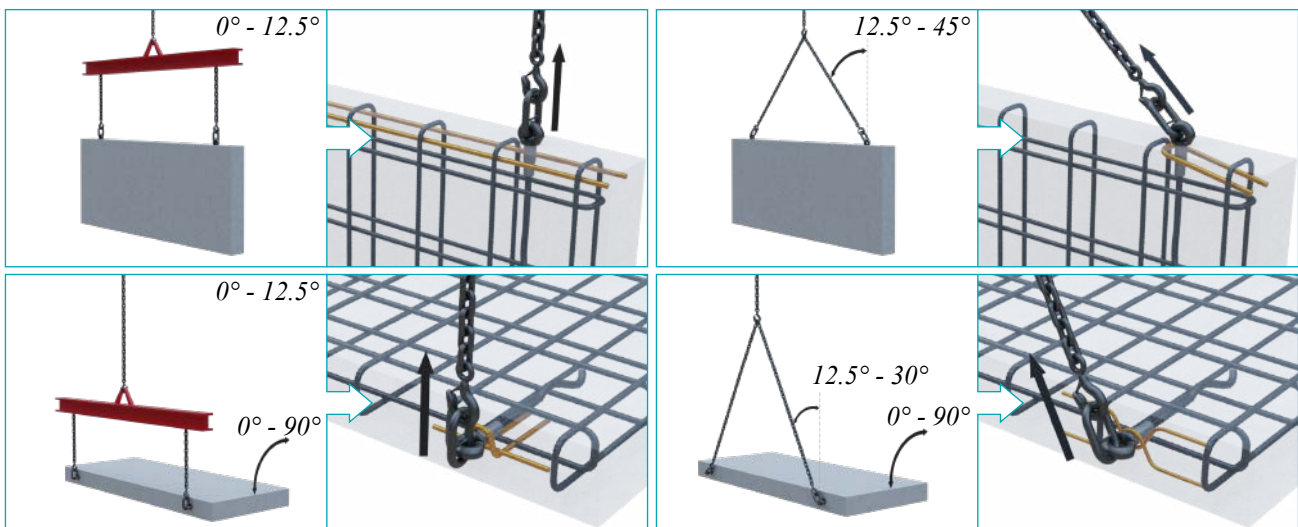
Type	Load Class	Color
Rd12	500	Pastel Orange
Rd16	1200	Flame Red
Rd20	2000	Pastel Green
Rd24	2500	Anthracite Gray
Rd30	4000	Emerald Green
Rd36	6300	Light Blue
Rd42	8000	Silver Grey
Rd52	12500	Sulphur Yellow



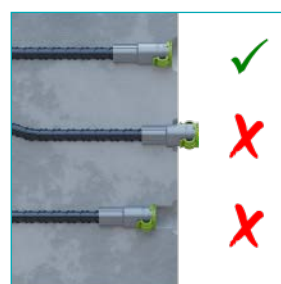
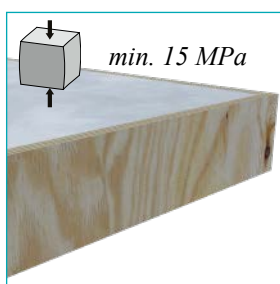
2. Installation



3. Reinforcement

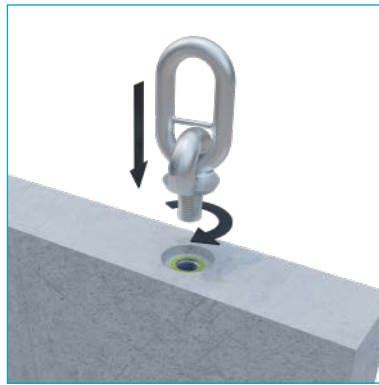
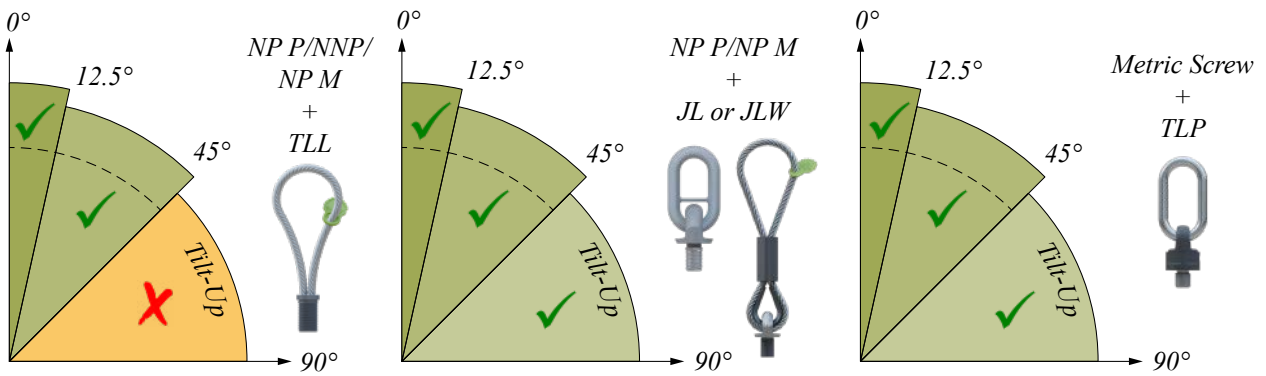


4. Casting

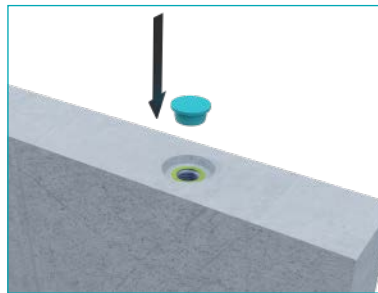


SRA, TF, WAL, CSA

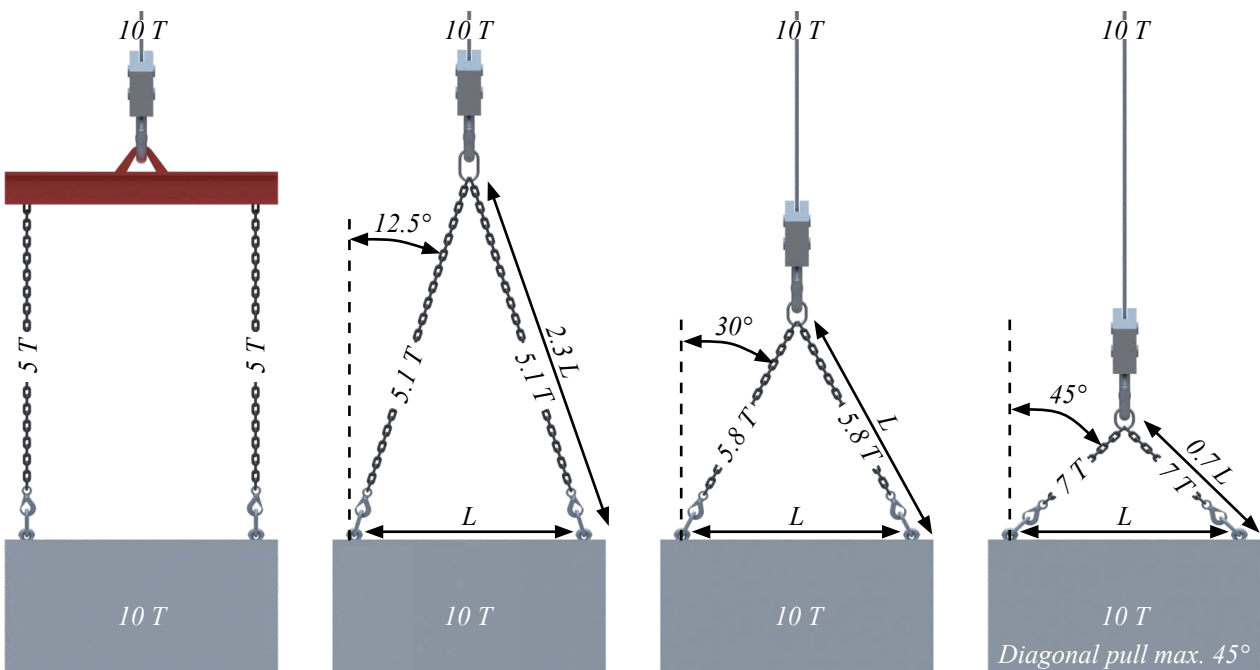
5. Lifting



6. Sealing



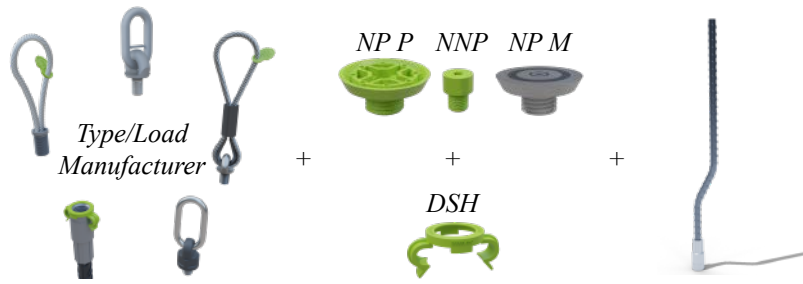
7. Lifting angle influence



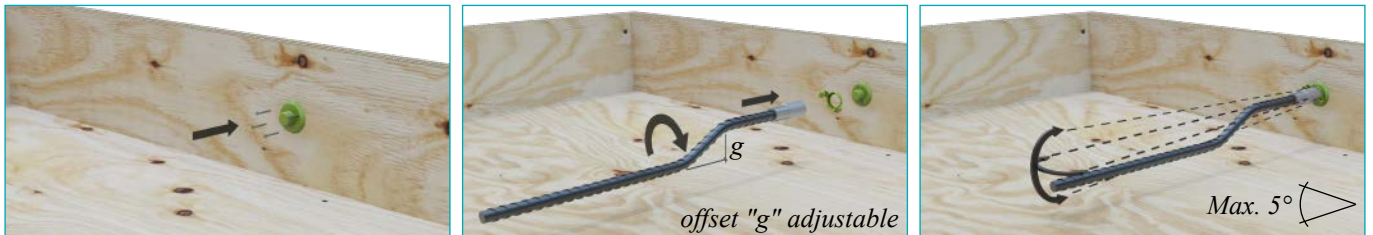
SRASW

1. Selection

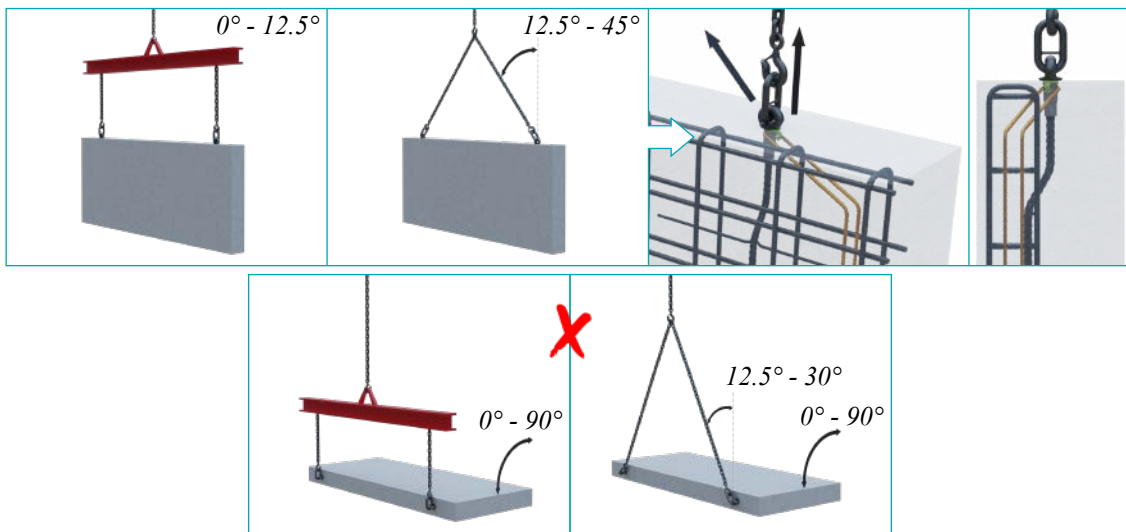
Type	Load Class	Color
Rd20	2000	Pastel Green
Rd24	2500	Anthracite Gray
Rd30	4000	Emerald Green
Rd36	6300	Light Blue
Rd42	8000	Silver Grey
Rd52	12500	Sulphur Yellow



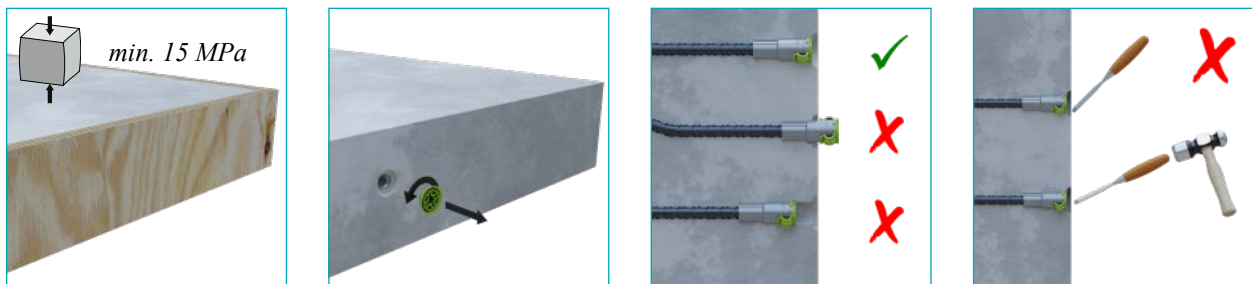
2. Installation



3. Reinforcement



4. Casting



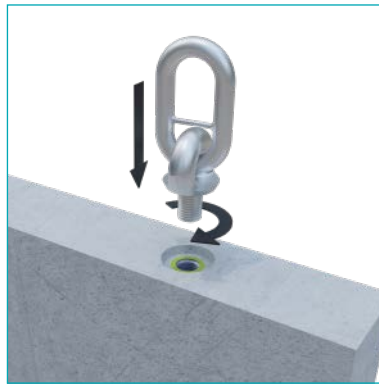
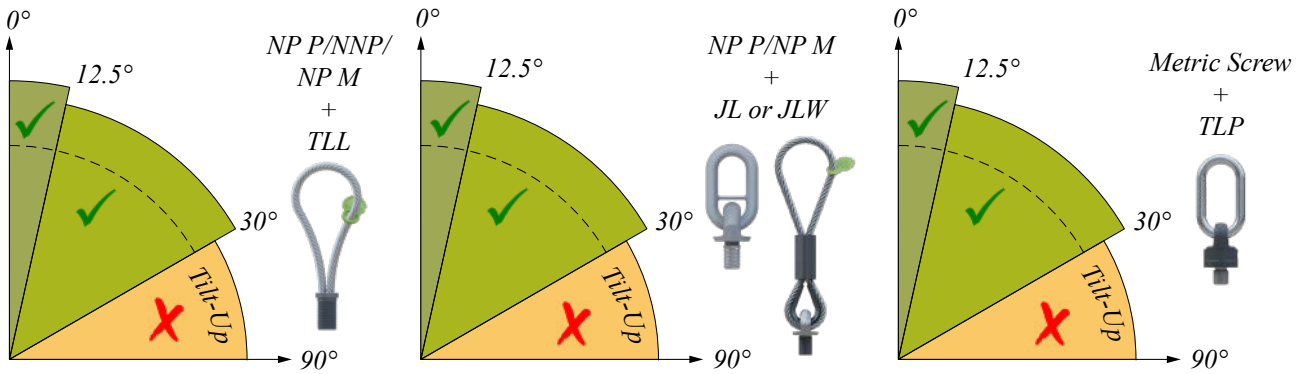
DESIGNERS

PRECAST PLANTS

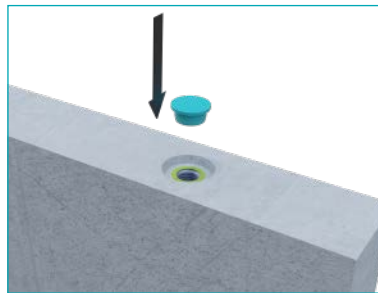
USERS

SRASW

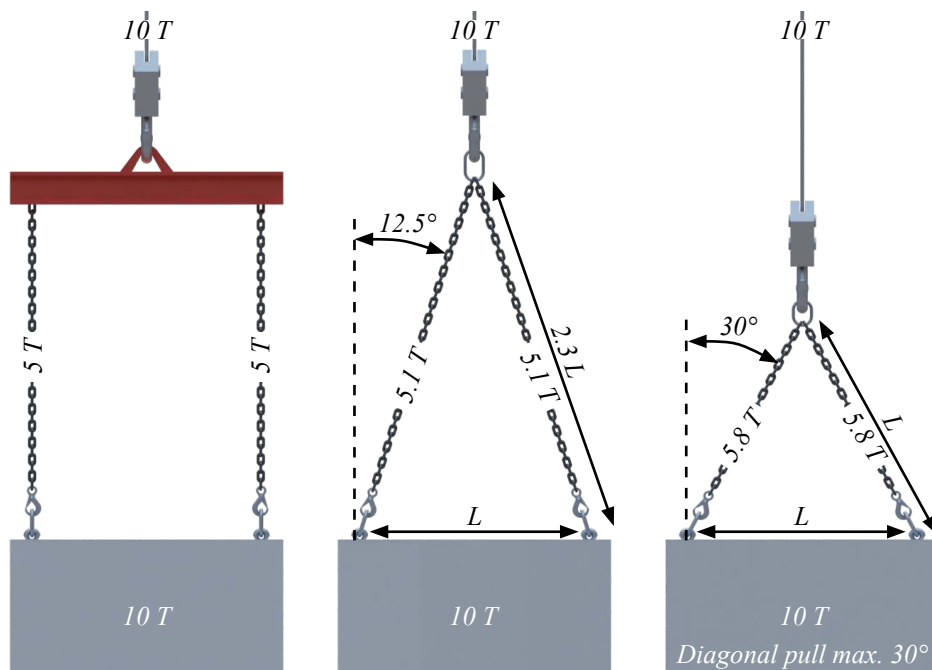
5. Lifting



6. Sealing



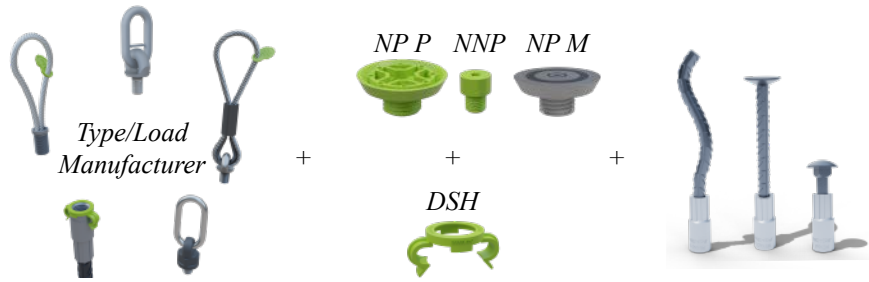
7. Lifting angle influence



WAS, PLA, BSA

1. Selection

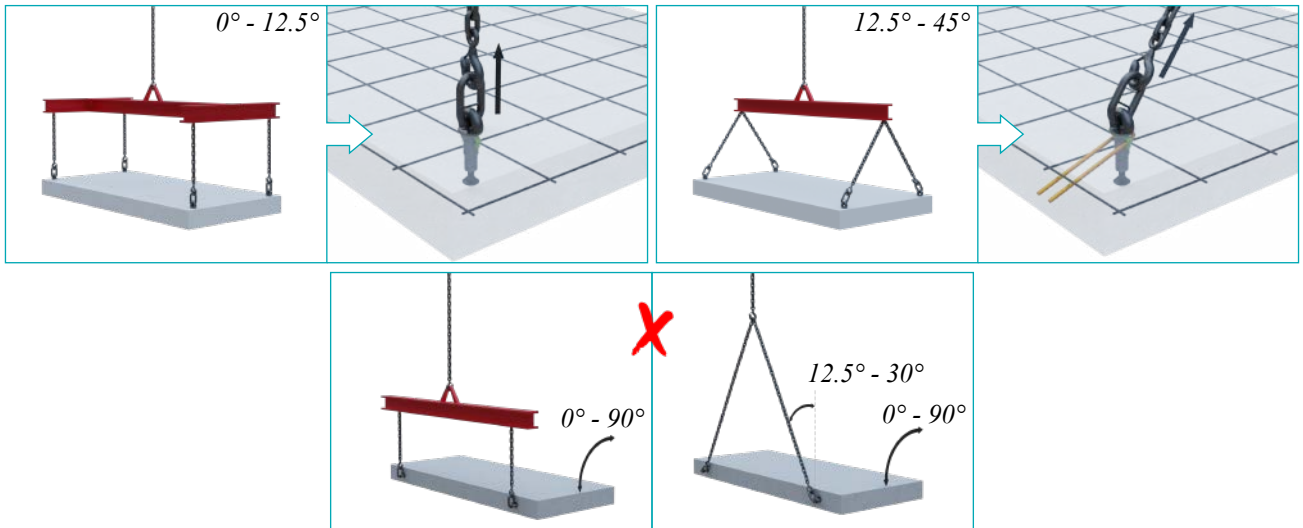
Type	Load Class	Color
Rd12	500	Pastel Orange
Rd16	1200	Flame Red
Rd20	2000	Pastel Green
Rd24	2500	Anthracite Gray
Rd30	4000	Emerald Green
Rd36	6300	Light Blue
Rd42	8000	Silver Grey



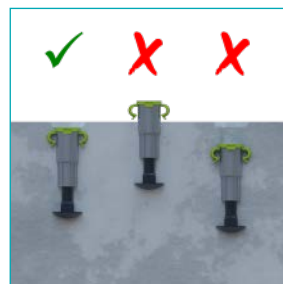
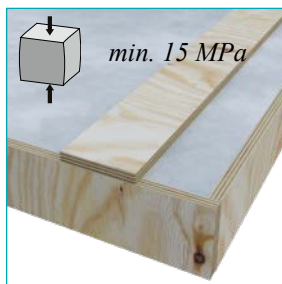
2. Installation



3. Reinforcement



4. Casting



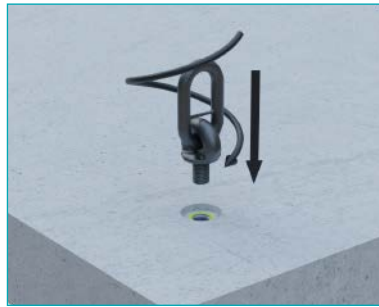
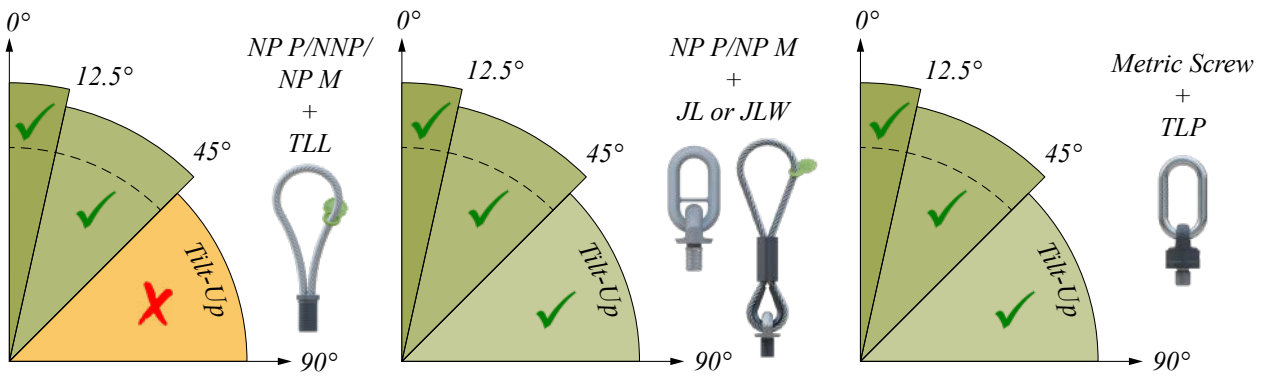
DESIGNERS

PRECAST PLANTS

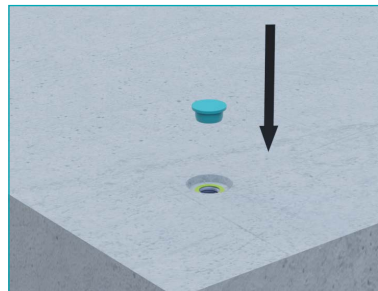
USERS

WAS, PLA, BSA

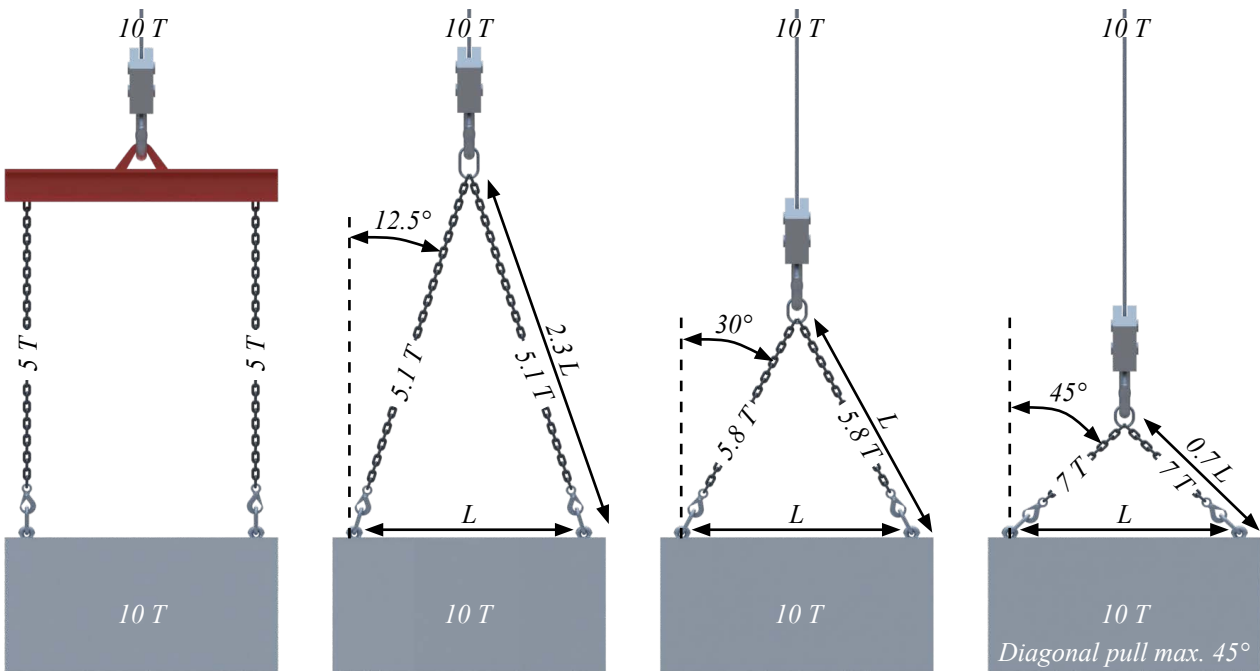
5. Lifting



6. Sealing



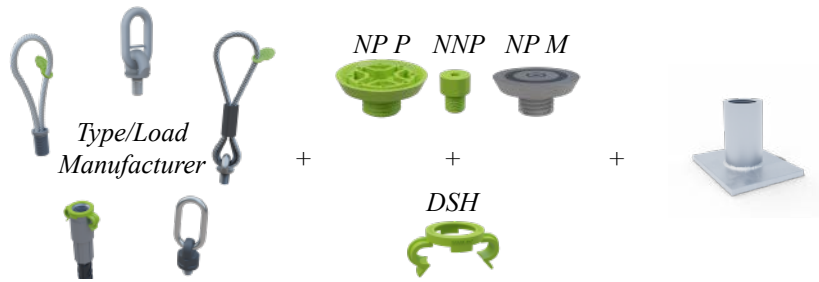
7. Lifting angle influence



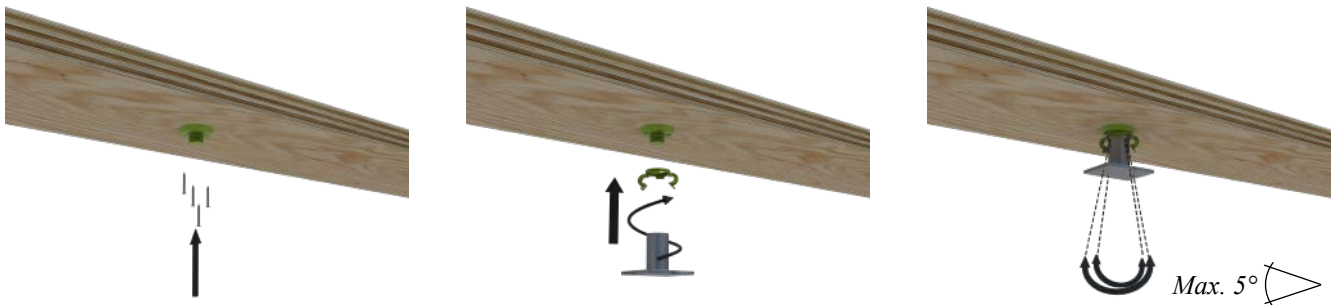
PSA

1. Selection

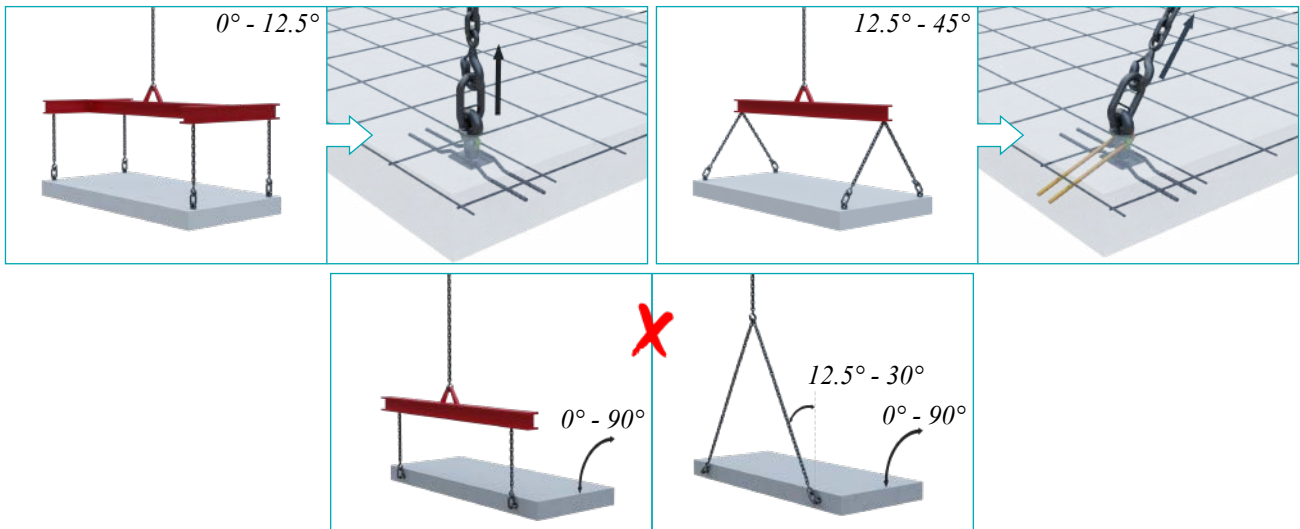
Type	Load Class	Color
Rd12	500	Pastel Orange
Rd16	1200	Flame Red
Rd20	2000	Pastel Green
Rd24	2500	Anthracite Gray
Rd30	4000	Emerald Green
Rd36	6300	Light Blue
Rd42	8000	Silver Grey
Rd52	12500	Sulphur Yellow



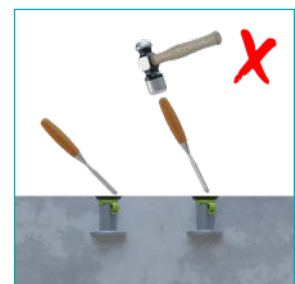
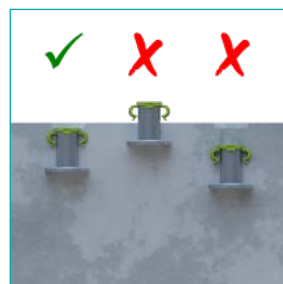
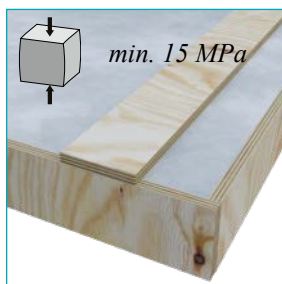
2. Installation



3. Reinforcement

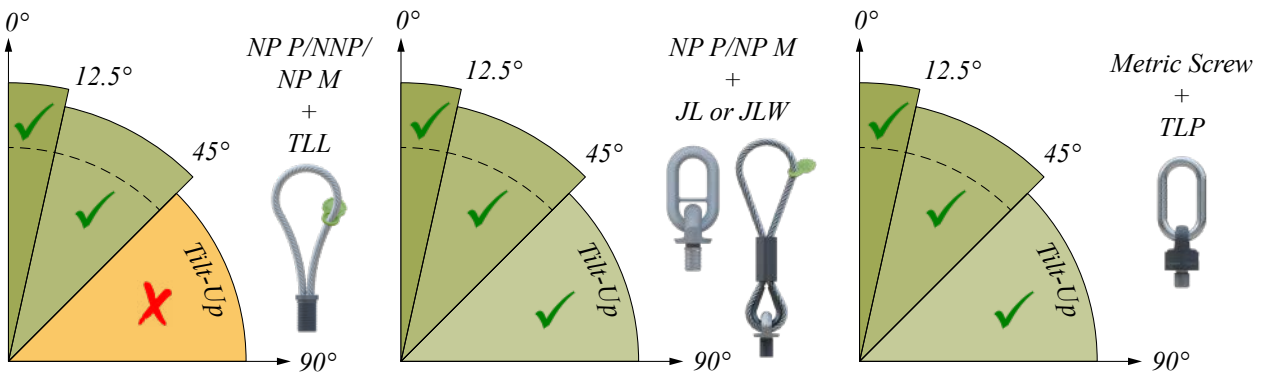


4. Casting

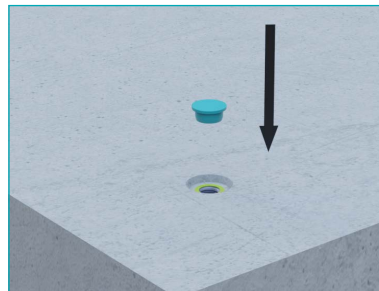


PSA

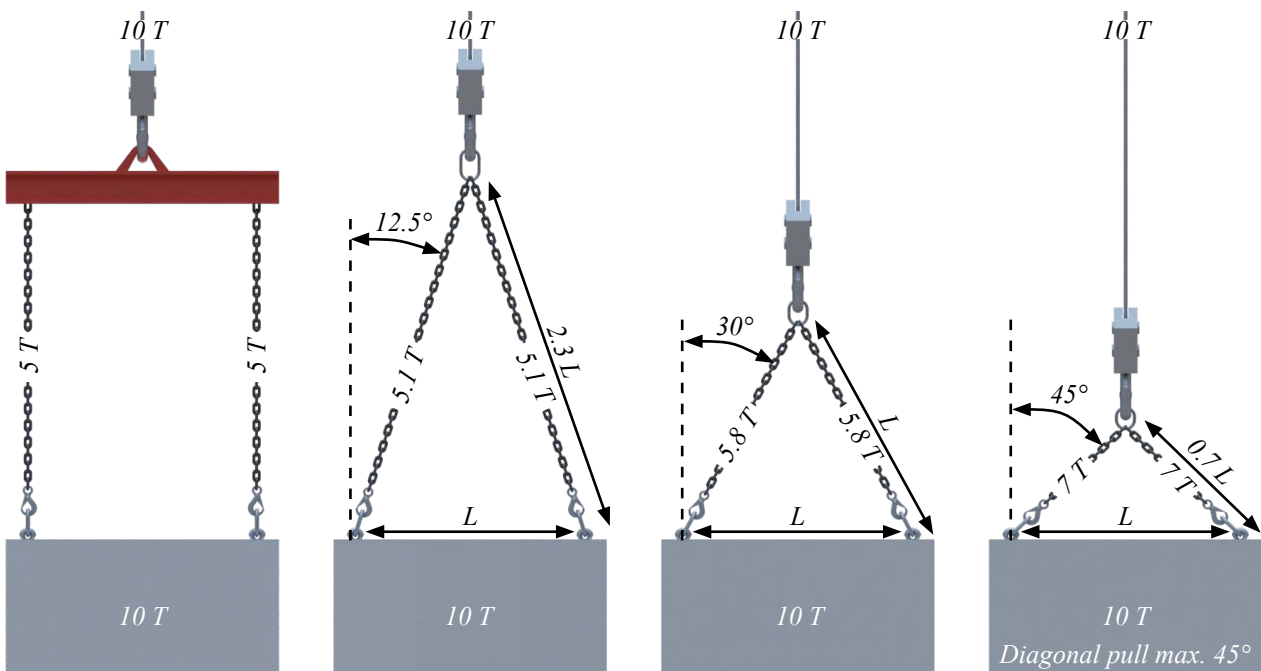
5. Lifting



6. Sealing



7. Lifting angle influence



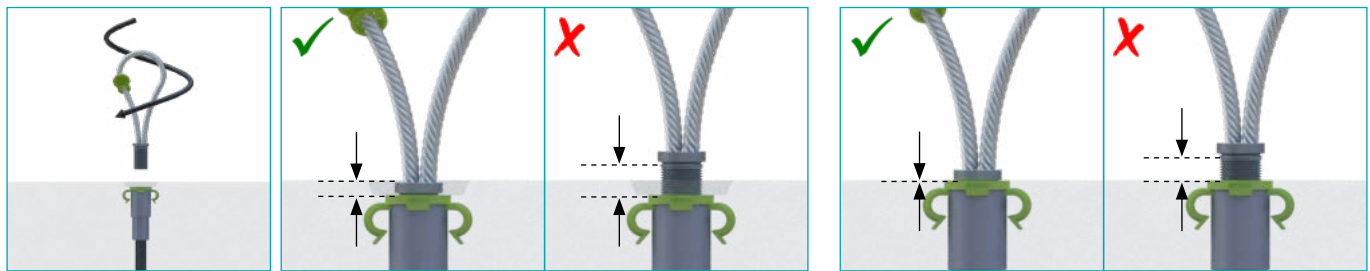
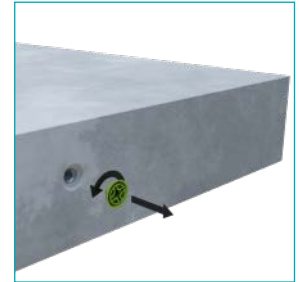
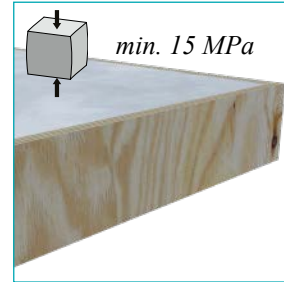
TLL

1. Selection

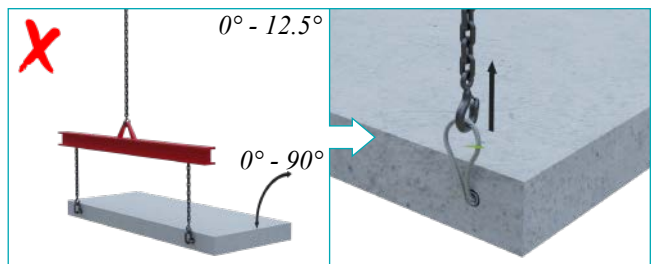
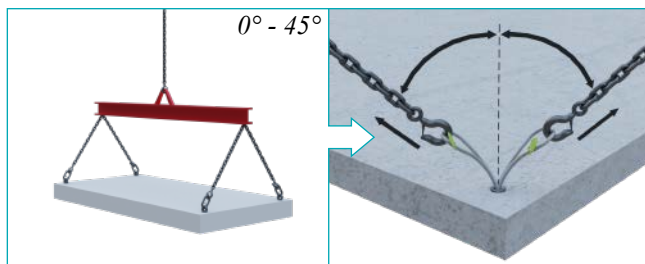
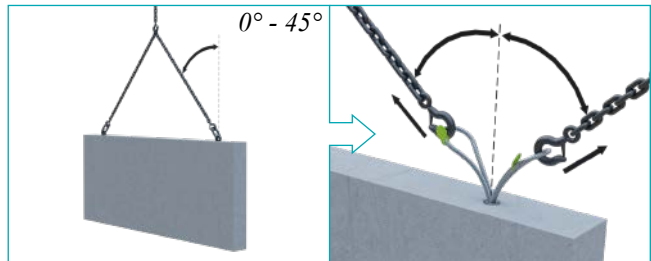
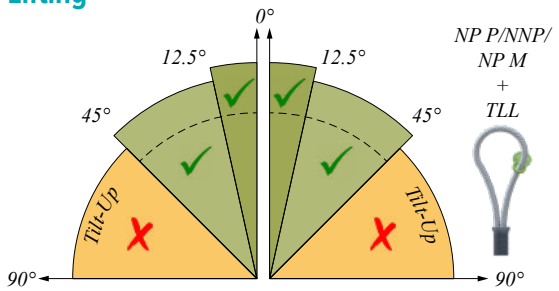
Type	Load Class	Color
Rd12	500	Pastel Orange
Rd16	1200	Flame Red
Rd20	2000	Pastel Green
Rd24	2500	Anthracite Gray
Rd30	4000	Emerald Green
Rd36	6300	Light Blue
Rd42	8000	Silver Grey
Rd52	12500	Sulphur Yellow



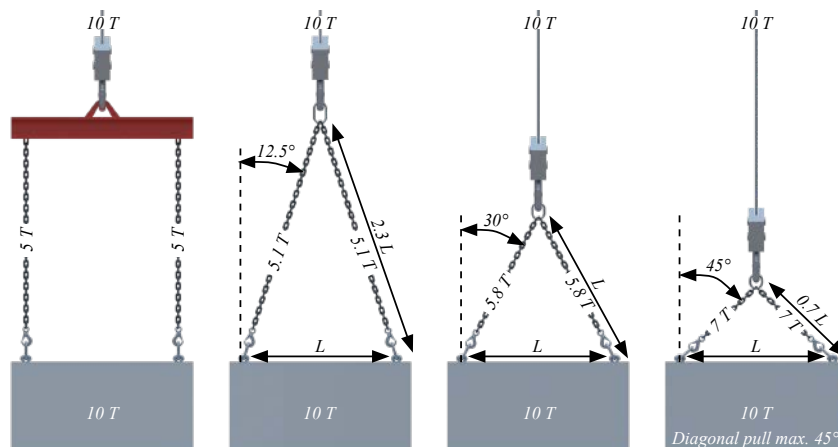
2. Application



3. Lifting



4. Lifting Angle Influence



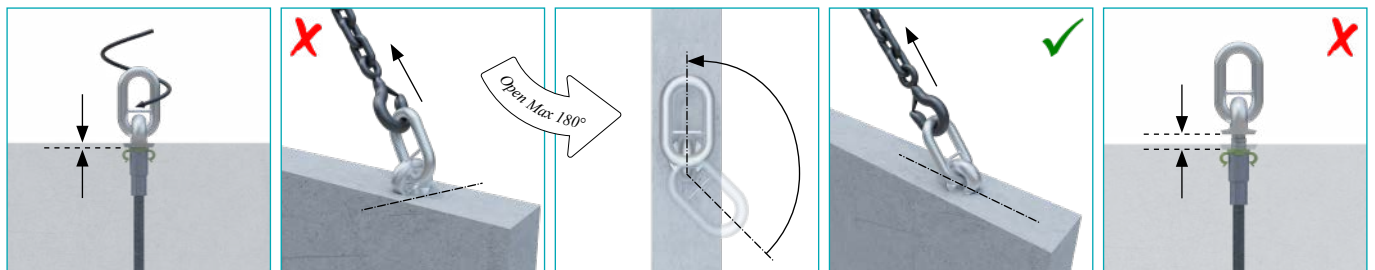
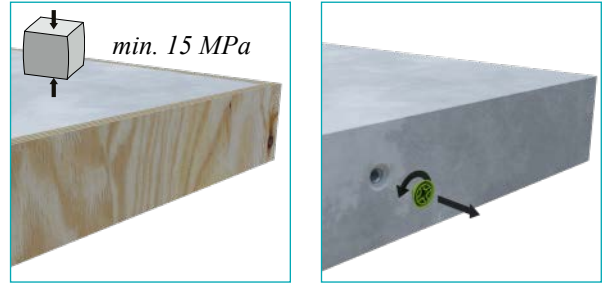
JLW, JL

1. Selection

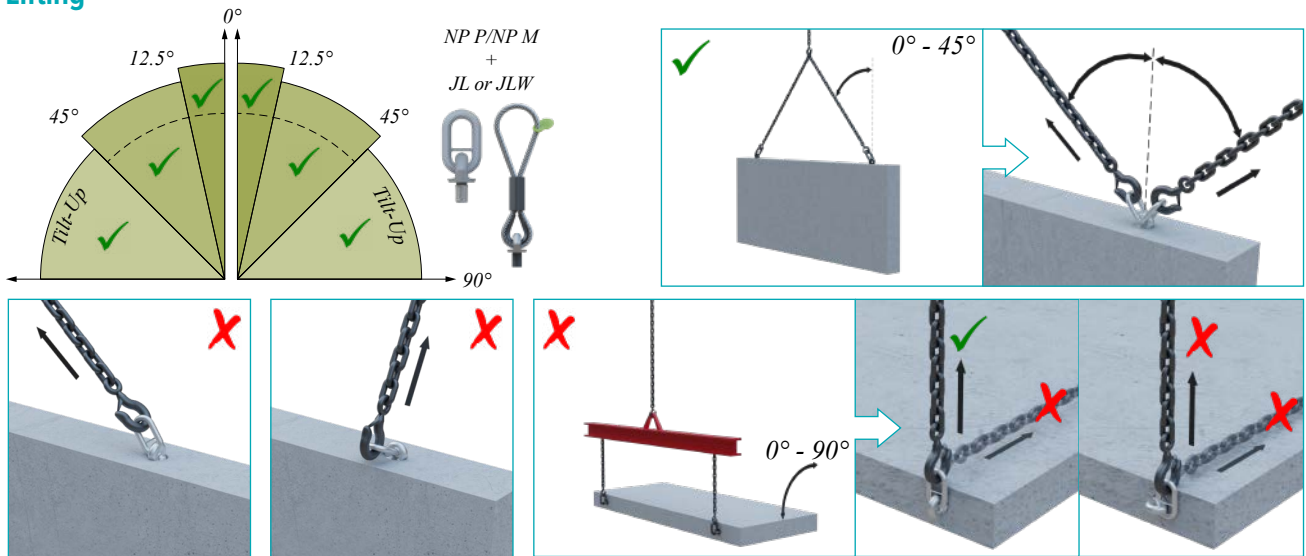
Type	Load Class	Color
Rd12	500	Pastel Orange
Rd16	1200	Flame Red
Rd20	2000	Pastel Green
Rd24	2500	Anthracite Gray
Rd30	4000	Emerald Green
Rd36	6300	Light Blue
Rd42	8000	Silver Grey
Rd52	12500	Sulphur Yellow



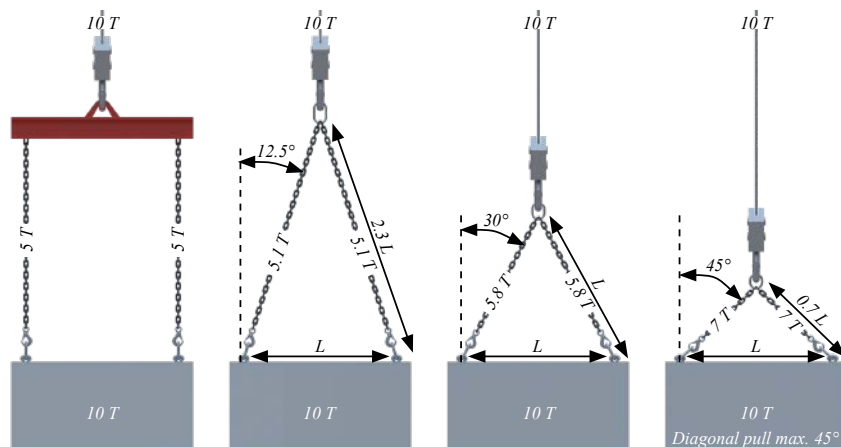
2. Application



3. Lifting



4. Lifting Angle Influence



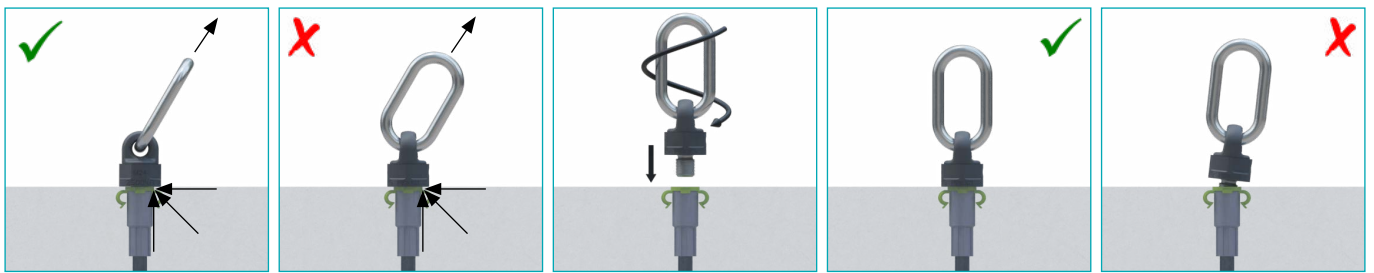
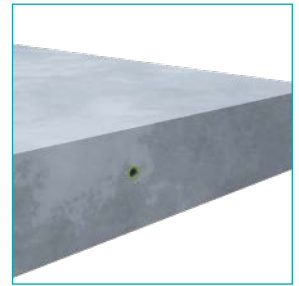
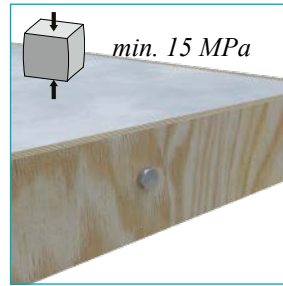
TLP

1. Selection

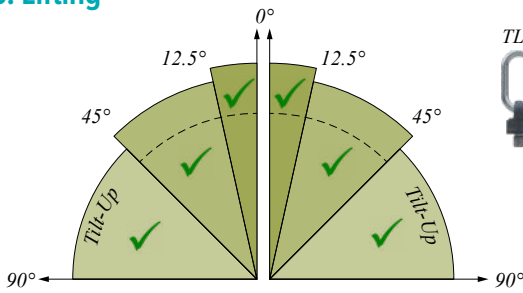
Type	Load Class	Color
M16	1200	Flame Red
M20	2000	Pastel Green
M24	2500	Anthracite Gray
M30	4000	Emerald Green
M36	6300	Light Blue



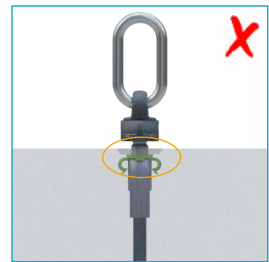
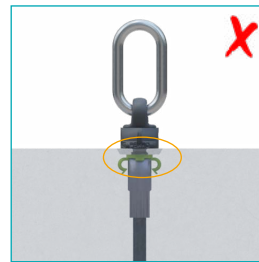
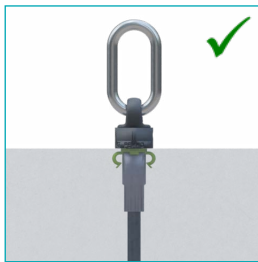
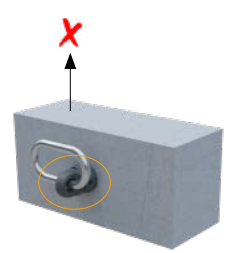
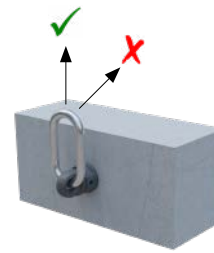
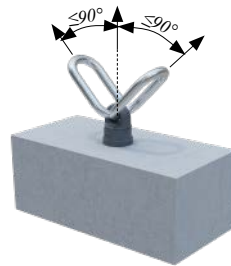
2. Application



3. Lifting



TLP



4. Lifting Angle Influence

